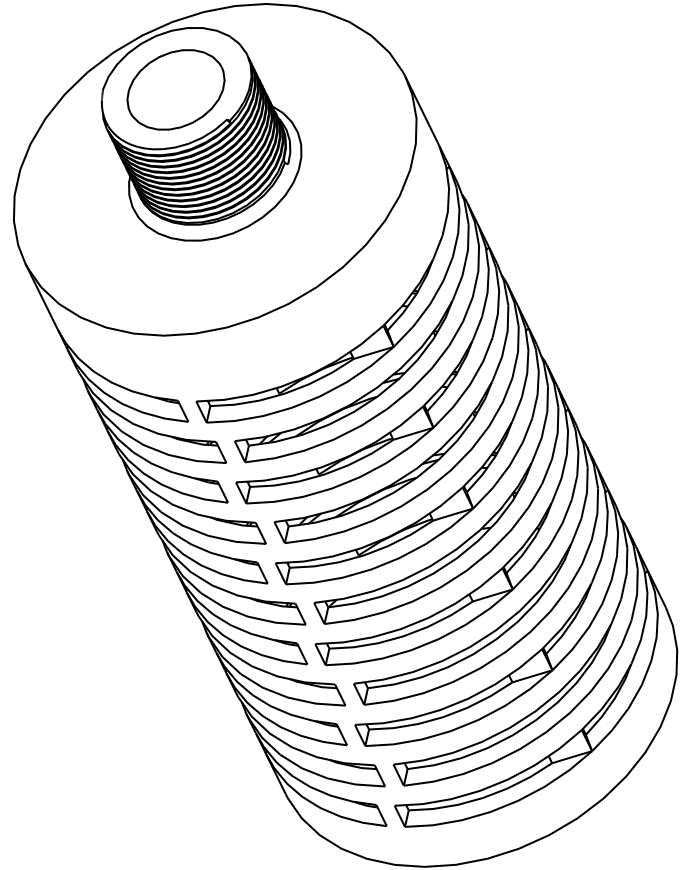
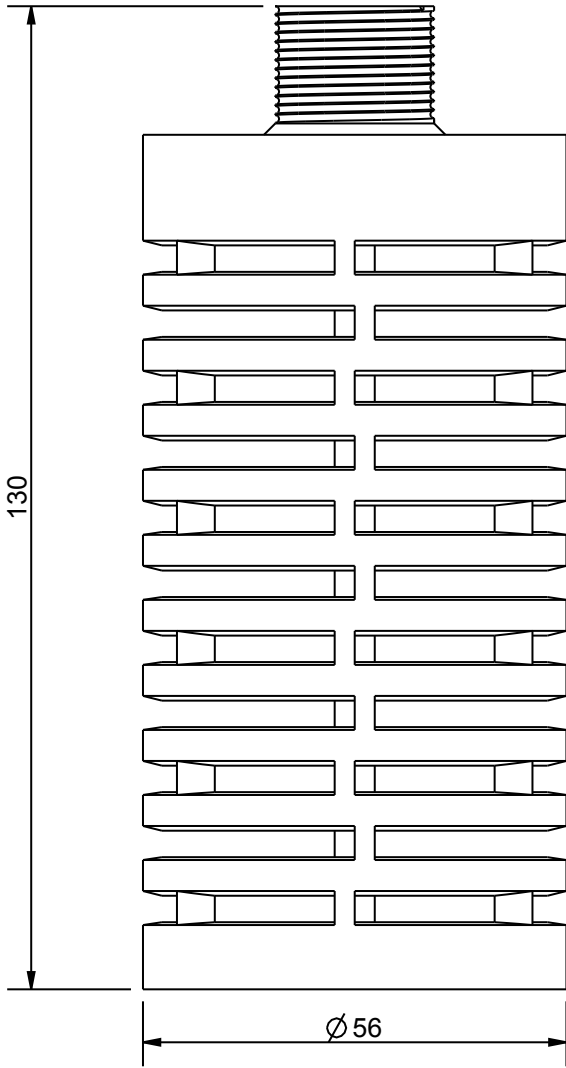


DO NOT SCALE THE DRAWING
ALL DIMENSIONS ARE IN mm.



PART	QUANTITY	REF. No.	DESCRIPTION	MATERIAL	FINISHED SIZE	HARDNESS	REMARKS

Rev.No.	ECN No.	DATE	DESCRIPTION	Rev.No.	ECN No.	DATE	DESCRIPTION

mdi ADVANCED MICRODEVICES(P)LTD. 20,21,Industrial Area,Ambala Cantt.133006.				SCALE	PROJ.	DATE	SIGN.	TOLERANCE UNLESS SPECIFIED				
5" CARTRIDGE FILTER WITH 1/2" MNPT ADAPTER	REV. NO.	FORMAT NO. 5	NONE	 	Drawn			C	1Dec.PI ±0.100	2Dec.PI ±0.050	3Dec.PI ±0.025	4Dec.PI ±0.010
					Designed			T	±0.050	±0.025	±0.010	±0.000
					Checked			S				
					Approved			Angle	±2°	±2°	±2°	±2°

TOOL No.	COMP.No.	STORE No.	SHEET 1 OF 1
----------	----------	-----------	--------------